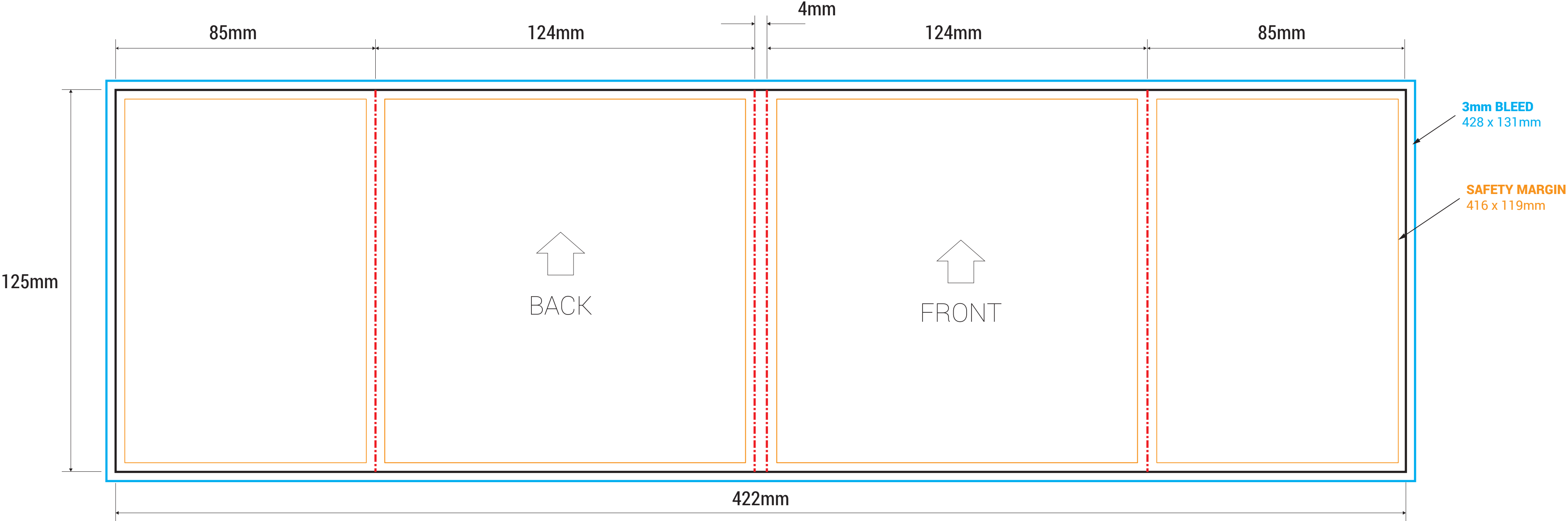
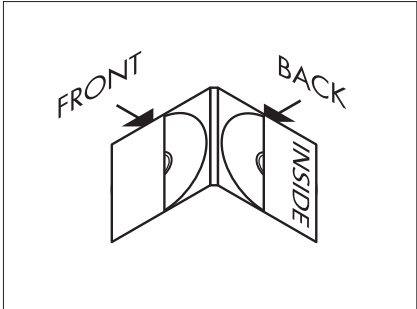


GATEFOLD MINI - DOUBLE



! DO NOT INCLUDE THE TEMPLATE OR ANY OTHER NON-PRINT INFO IN THE FINAL PRINT READY PDF ART FILE.



THIS TEMPLATE IS 1:1 SCALE
EMAIL: PRINT@IMPLANT.COM.AU
PH: 1300 79 78 78

IMPORTANT
 - IMPORTANT INFO SHOULD MUST BE INSIDE SAFETY MARGINS
 - FINAL ART MUST HAVE 3MM BLEED ON EACH CUT EDGE
 - FINAL ART MUST BE CMYK AND 300 DPI
 - PLEASE OUTLINE ALL FONTS
 - SAVE ART AS PRINT READY PDF (Acrobat 6.0 (PDF 1.5) or higher)

- CUT
- FOLD
- BLEED
- SAFETY