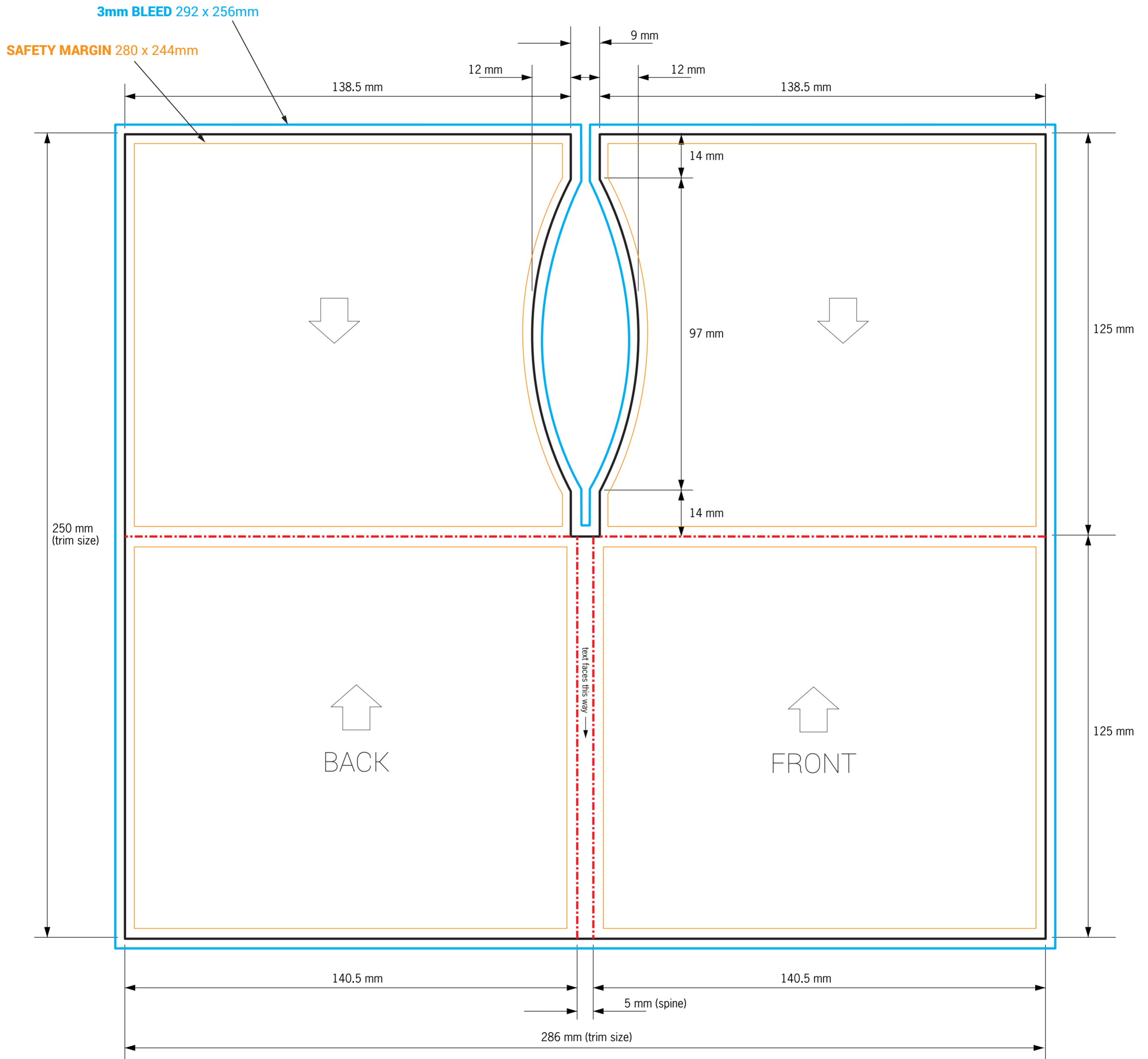
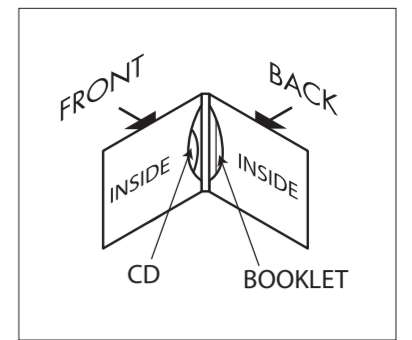


# GATEFOLD DOUBLE - SCALOPED EDGES



**! DO NOT INCLUDE THE TEMPLATE OR ANY OTHER NON-PRINT INFO IN THE FINAL PRINT READY PDF ART FILE.**

**IMPORTANT**

- IMPORTANT INFO SHOULD MUST BE INSIDE SAFETY MARGINS
- FINAL ART MUST HAVE 3MM BLEED ON EACH CUT EDGE
- FINAL ART MUST BE CMYK AND 300 DPI
- PLEASE OUTLINE ALL FONTS
- SAVE ART AS PRINT READY PDF (Acrobat 6.0 (PDF 1.5) or higher)

- CUT
- FOLD
- BLEED
- SAFETY