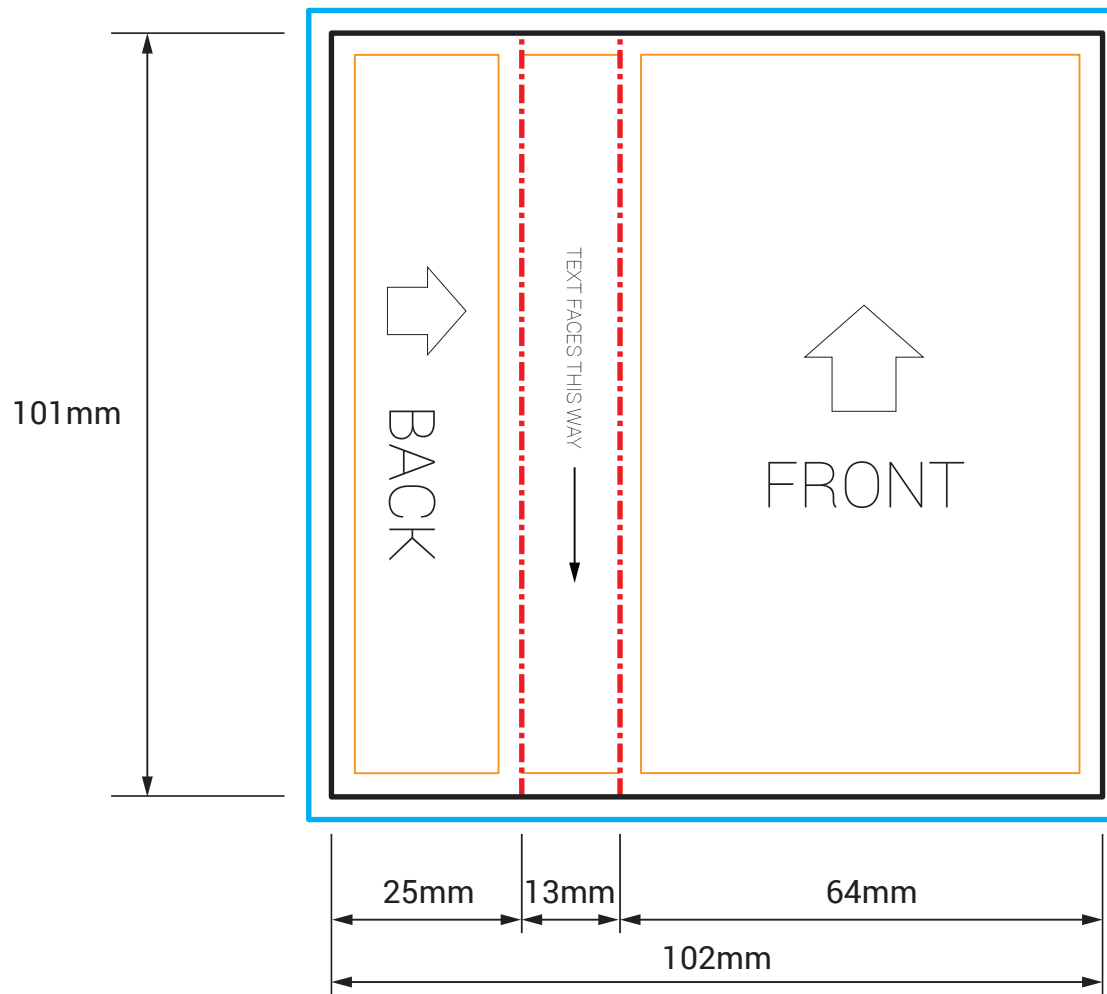
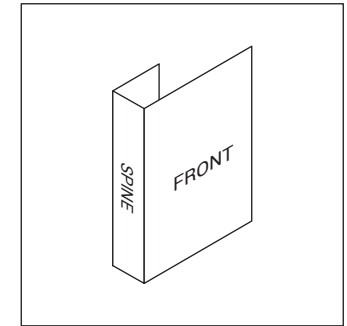


CASSETTE J-CARD 1 PANEL

OUTSIDE

CUT 102 x 101mm 3mm BLEED 108 x 107mm SAFETY MARGIN 96 x 95



! DO NOT INCLUDE THE TEMPLATE OR ANY OTHER NON-PRINT INFO IN THE FINAL PRINT READY PDF ART FILE.

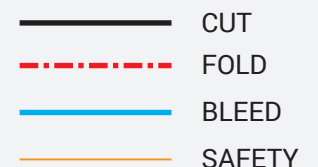


THIS TEMPLATE IS 1:1 SCALE

EMAIL: PRINT@IMPLANT.COM.AU
PH: 1300 79 78 78

IMPORTANT

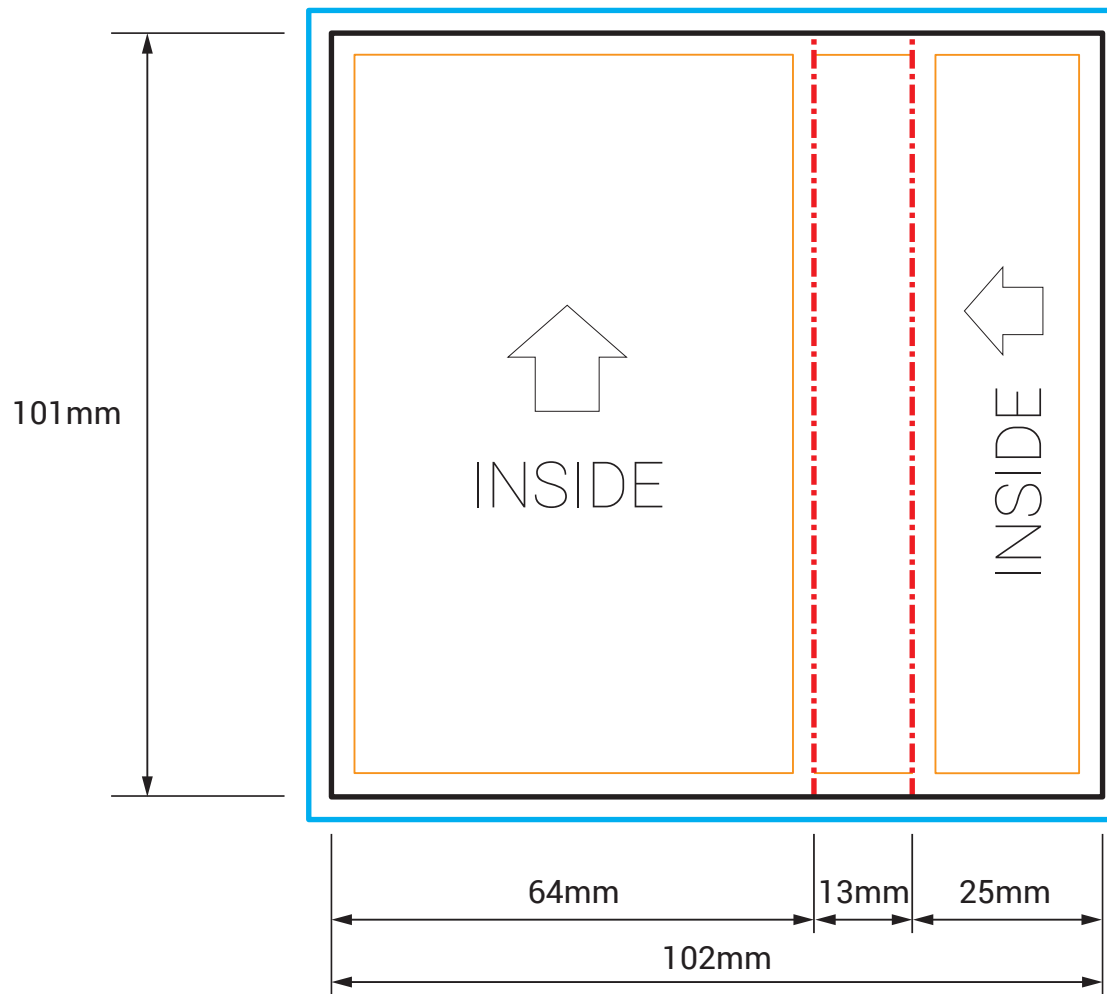
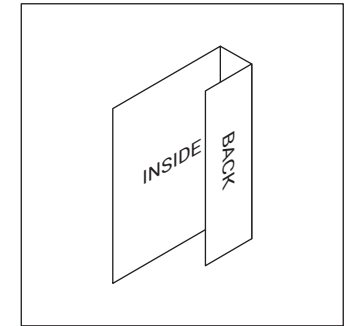
- IMPORTANT INFO SHOULD MUST BE INSIDE SAFETY MARGINS
- FINAL ART MUST HAVE 3MM BLEED ON EACH CUT EDGE
- FINAL ART MUST BE CMYK AND 300 DPI
- PLEASE OUTLINE ALL FONTS
- SAVE ART AS PRINT READY PDF (Acrobat 6.0 (PDF 1.5) or higher)



CASSETTE J-CARD 1 PANEL

INSIDE

CUT 102 x 101mm 3mm BLEED 108 x 107mm SAFETY MARGIN 96 x 95



! DO NOT INCLUDE THE TEMPLATE OR ANY OTHER NON-PRINT INFO IN THE FINAL PRINT READY PDF ART FILE.



THIS TEMPLATE IS 1:1 SCALE

EMAIL: PRINT@IMPLANT.COM.AU
PH: 1300 79 78 78

IMPORTANT

- IMPORTANT INFO SHOULD MUST BE INSIDE SAFETY MARGINS
- FINAL ART MUST HAVE 3MM BLEED ON EACH CUT EDGE
- FINAL ART MUST BE CMYK AND 300 DPI
- PLEASE OUTLINE ALL FONTS
- SAVE ART AS PRINT READY PDF (Acrobat 6.0 (PDF 1.5) or higher)

- CUT
- FOLD
- BLEED
- SAFETY