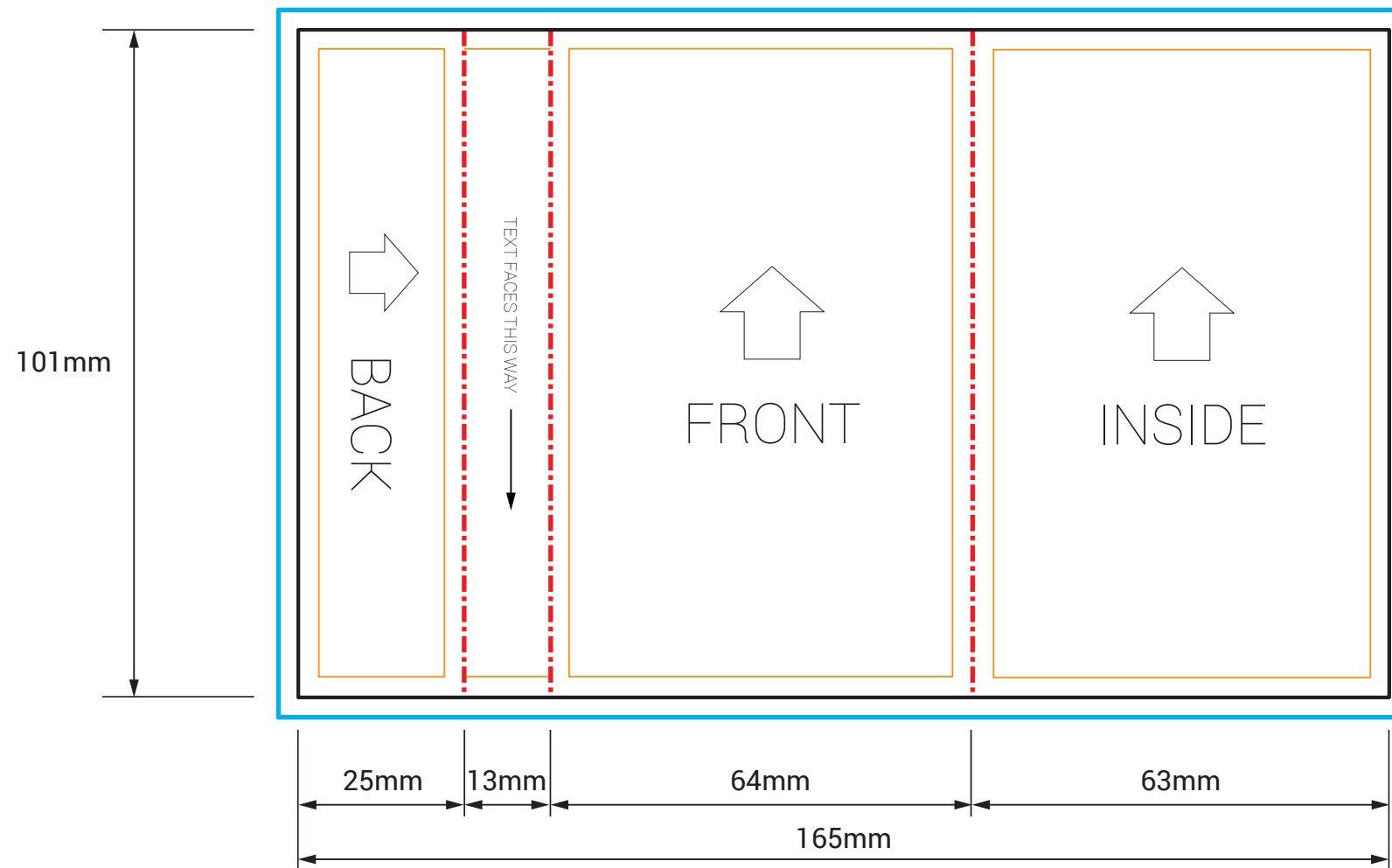
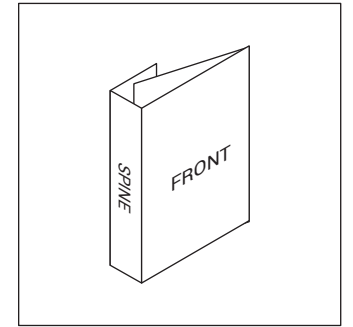


CASSETTE J-CARD 2 PANELS

OUTSIDE

CUT 165 x 101mm **3mm BLEED** 171 x 107mm **SAFETY MARGIN** 159 x 95mm

! DO NOT INCLUDE THE TEMPLATE OR ANY OTHER NON-PRINT INFO IN THE FINAL PRINT READY PDF ART FILE.



THIS TEMPLATE IS 1:1 SCALE

EMAIL: PRINT@IMPLANT.COM.AU
PH: 1300 79 78 78

IMPORTANT

- IMPORTANT INFO SHOULD MUST BE INSIDE **SAFETY MARGINS**
- FINAL ART MUST HAVE **3MM BLEED** ON EACH CUT EDGE
- FINAL ART MUST BE CMYK AND 300 DPI
- PLEASE OUTLINE ALL FONTS
- SAVE ART AS PRINT READY PDF (Acrobat 6.0 (PDF 1.5) or higher)

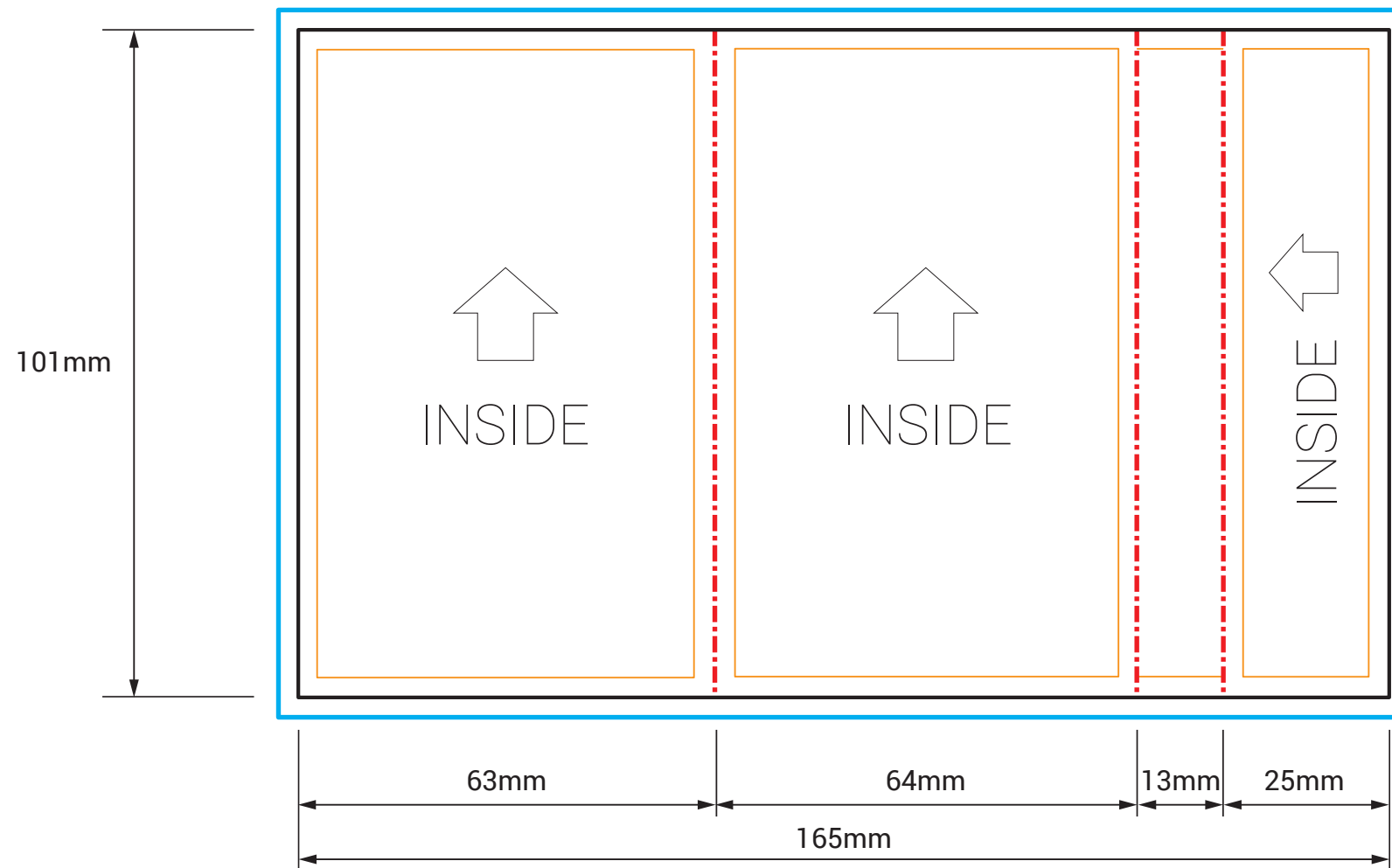
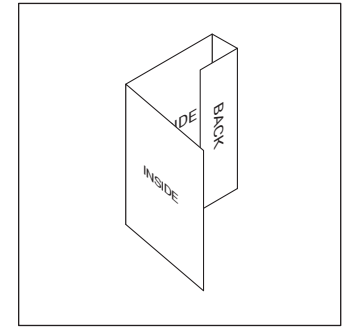


CASSETTE J-CARD 2 PANELS

INSIDE

CUT 165 x 101mm **3mm BLEED** 171 x 107mm **SAFETY MARGIN** 159 x 95mm

! DO NOT INCLUDE THE TEMPLATE OR ANY OTHER NON-PRINT INFO IN THE FINAL PRINT READY PDF ART FILE.



THIS TEMPLATE IS 1:1 SCALE

EMAIL: PRINT@IMPLANT.COM.AU
PH: 1300 79 78 78

IMPORTANT

- IMPORTANT INFO SHOULD MUST BE INSIDE **SAFETY MARGINS**
- FINAL ART MUST HAVE **3MM BLEED** ON EACH CUT EDGE
- FINAL ART MUST BE CMYK AND 300 DPI
- PLEASE OUTLINE ALL FONTS
- SAVE ART AS PRINT READY PDF (Acrobat 6.0 (PDF 1.5) or higher)

