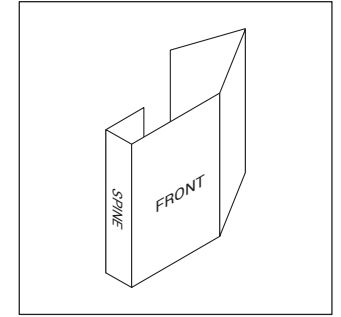


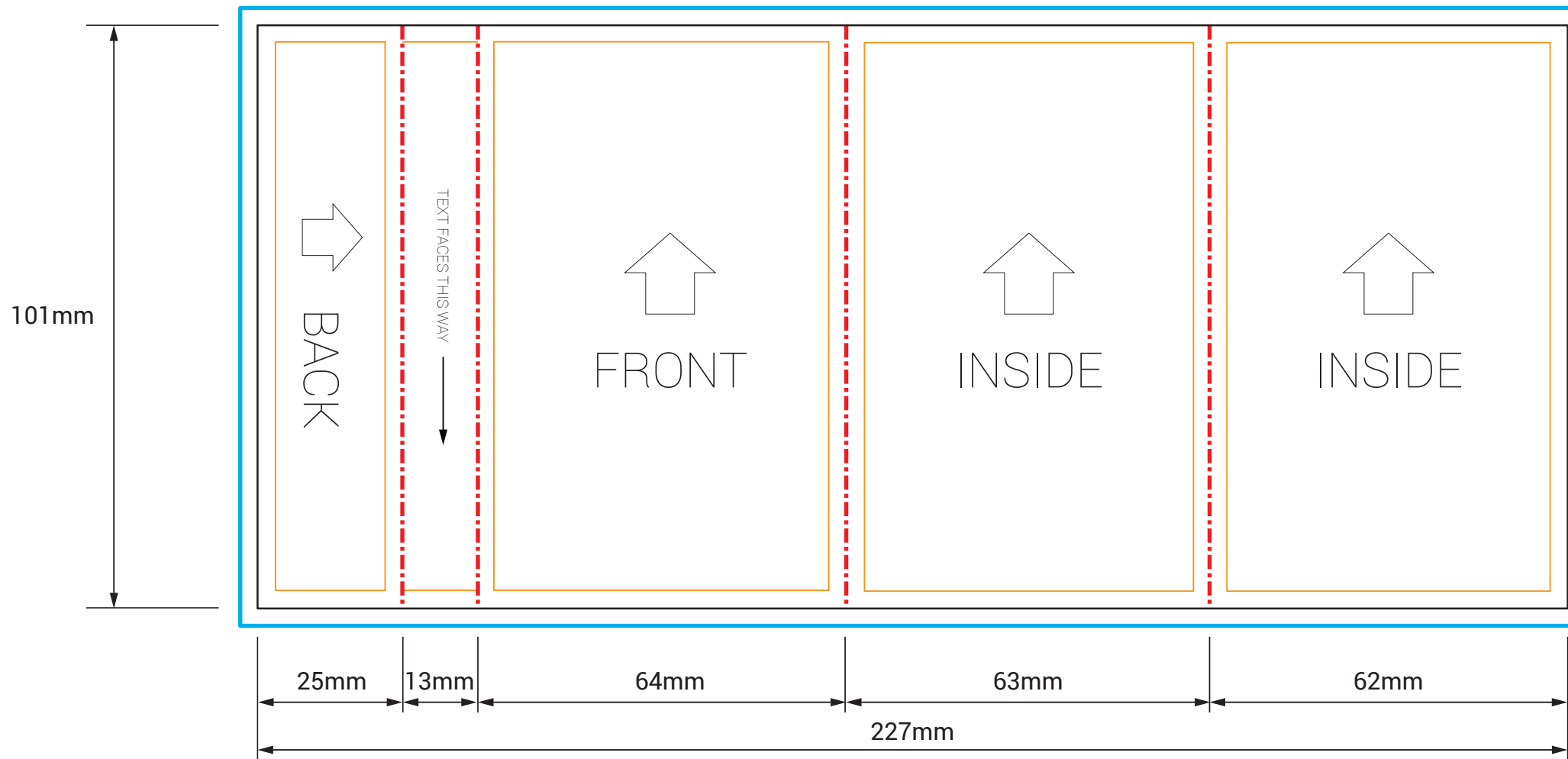
CASSETTE J-CARD 3 PANELS

OUTSIDE

CUT 227 x 101mm 3mm BLEED 233 x 107mm SAFETY MARGIN 221 x 95mm



! DO NOT INCLUDE THE TEMPLATE OR ANY OTHER NON-PRINT INFO IN THE FINAL PRINT READY PDF ART FILE.



THIS TEMPLATE IS 1:1 SCALE

EMAIL: PRINT@IMPLANT.COM.AU
PH: 1300 79 78 78

IMPORTANT

- IMPORTANT INFO SHOULD MUST BE INSIDE SAFETY MARGINS
- FINAL ART MUST HAVE 3MM BLEED ON EACH CUT EDGE
- FINAL ART MUST BE CMYK AND 300 DPI
- PLEASE OUTLINE ALL FONTS
- SAVE ART AS PRINT READY PDF (Acrobat 6.0 (PDF 1.5) or higher)

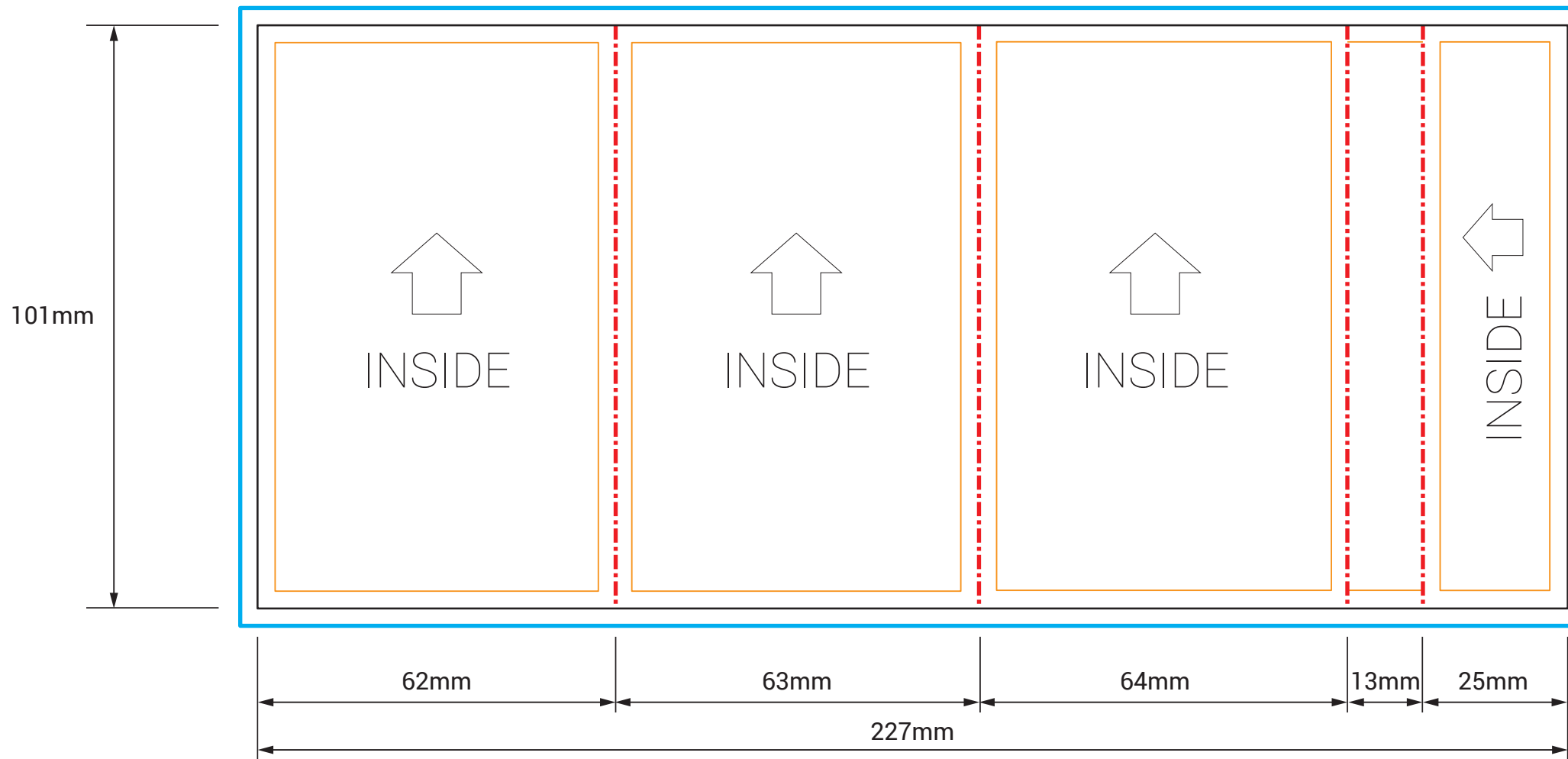
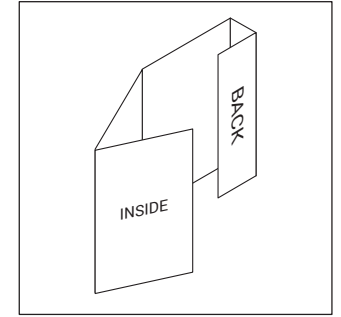
- CUT
- FOLD
- BLEED
- SAFETY

CASSETTE J-CARD 3 PANELS

INSIDE

CUT 227 x 101mm 3mm BLEED 233 x 107mm SAFETY MARGIN 221 x 95mm

! DO NOT INCLUDE THE TEMPLATE OR ANY OTHER NON-PRINT INFO IN THE FINAL PRINT READY PDF ART FILE.



THIS TEMPLATE IS 1:1 SCALE

EMAIL: PRINT@IMPLANT.COM.AU
PH: 1300 79 78 78

IMPORTANT

- IMPORTANT INFO SHOULD MUST BE INSIDE SAFETY MARGINS
- FINAL ART MUST HAVE 3MM BLEED ON EACH CUT EDGE
- FINAL ART MUST BE CMYK AND 300 DPI
- PLEASE OUTLINE ALL FONTS
- SAVE ART AS PRINT READY PDF (Acrobat 6.0 (PDF 1.5) or higher)

- CUT
- - - FOLD
- BLEED
- SAFETY