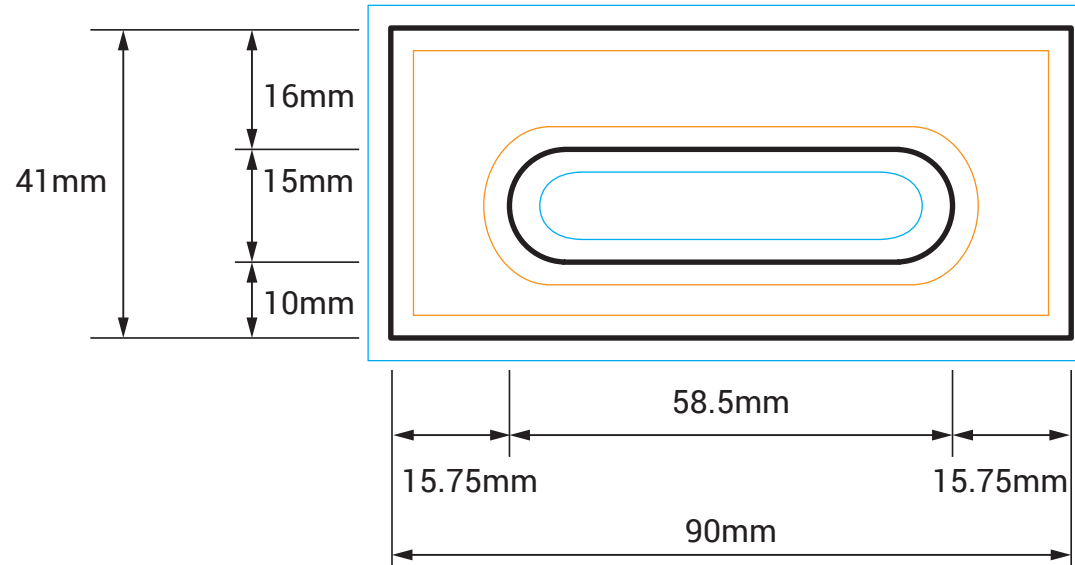


CASSETTE LABEL

CUT 90 x 40mm

3mm BLEED 96 x 46mm

SAFETY MARGIN 84 x 34mm



! DO NOT INCLUDE THE TEMPLATE OR ANY OTHER NON-PRINT INFO IN THE FINAL PRINT READY PDF ART FILE.



THIS TEMPLATE IS 1:1 SCALE

EMAIL: PRINT@IMPLANT.COM.AU

PH: 1300 79 78 78

IMPORTANT

- IMPORTANT INFO SHOULD MUST BE INSIDE **SAFETY MARGINS**
- FINAL ART MUST HAVE **3MM BLEED** ON EACH CUT EDGE
- FINAL ART MUST BE CMYK AND 300 DPI
- PLEASE OUTLINE ALL FONTS
- SAVE ART AS PRINT READY PDF (Acrobat 6.0 (PDF 1.5) or higher)

— CUT
— BLEED
— SAFETY