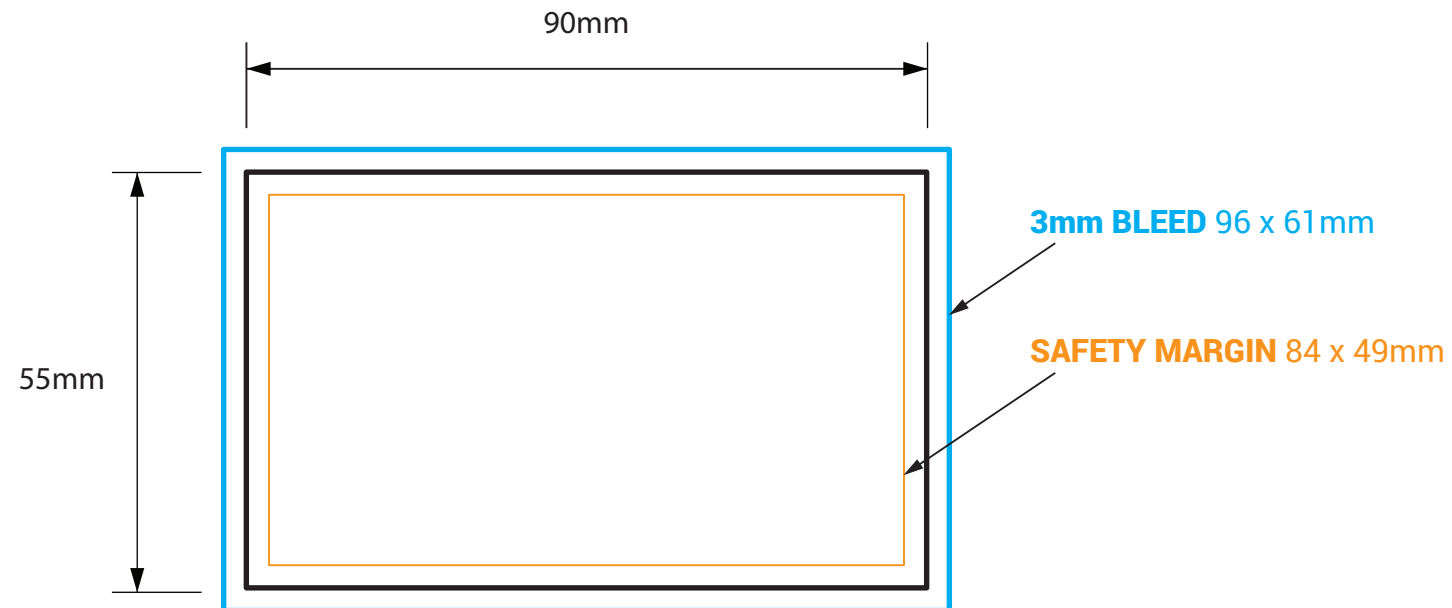


# BUSINESS CARDS 90x55MM



**! DO NOT INCLUDE THE TEMPLATE OR ANY OTHER NON-PRINT INFO IN THE FINAL PRINT READY PDF ART FILE.**



**THIS TEMPLATE IS 1:1 SCALE**

**EMAIL:** PRINT@IMPLANT.COM.AU  
**PH:** 1300 79 78 78

## IMPORTANT

- IMPORTANT INFO SHOULD MUST BE INSIDE SAFETY MARGINS
- FINAL ART MUST HAVE 3MM BLEED ON EACH CUT EDGE
- FINAL ART MUST BE CMYK AND 300 DPI
- PLEASE OUTLINE ALL FONTS
- SAVE ART AS PRINT READY PDF (Acrobat 6.0 (PDF 1.5) or higher)

— CUT  
— BLEED  
— SAFETY