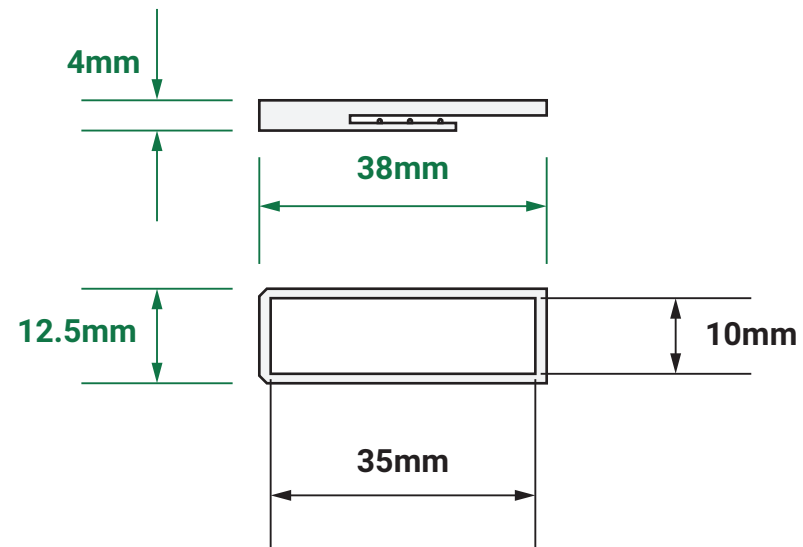


# USB - CLIP TEMPLATE FRONT



## PRINTABLE AREA

35mm x 10mm

## USB DIMENSIONS

L: 38mm x W: 4mm x H: 12.5mm



THIS TEMPLATE IS 1:1 SCALE

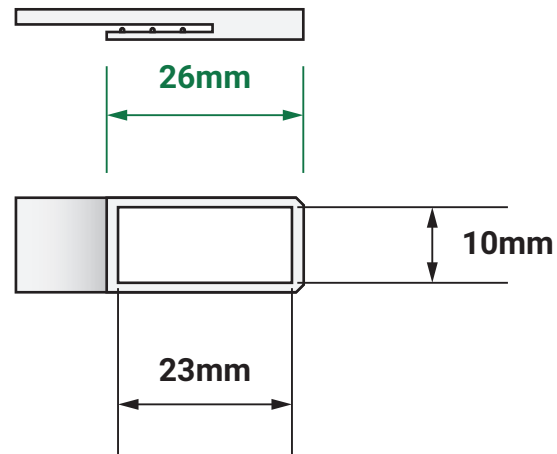
EMAIL: SALES@IUSB.COM.AU

PH: 1300 985 133

## IMPORTANT

- FINAL ART MUST BE SET UP AS **VECTORS**
- PLEASE OUTLINE ALL FONTS
- SAVE ART AS PRINT READY PDF

# USB - CLIP TEMPLATE **BACK**



## PRINTABLE AREA

23mm x 10mm

## USB DIMENSIONS

L: 38mm x W: 4mm x H: 12.5mm



THIS TEMPLATE IS 1:1 SCALE

EMAIL: SALES@IUSB.COM.AU

PH: 1300 985 133

## IMPORTANT

- FINAL ART MUST BE SET UP AS **VECTORS**
- PLEASE OUTLINE ALL FONTS
- SAVE ART AS PRINT READY PDF