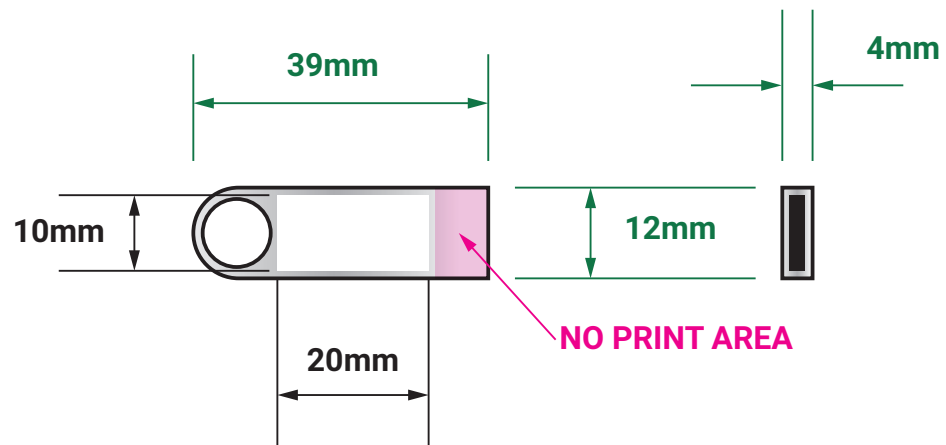


USB - METAL MINI TEMPLATE FRONT



PRINTABLE AREA
20mm x 10mm

USB DIMENSIONS
L: 39mm x W: 4mm x H: 12mm



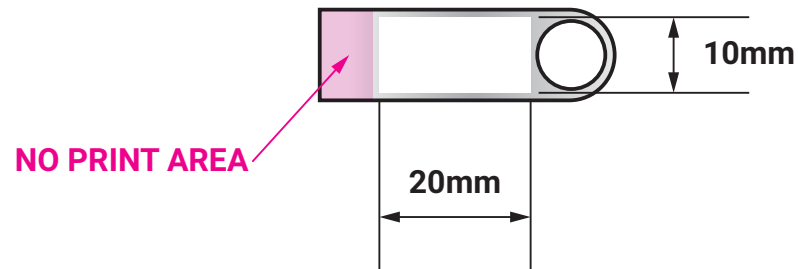
THIS TEMPLATE IS 1:1 SCALE

EMAIL: SALES@IUSB.COM.AU
PH: 1300 985 133

IMPORTANT

- FINAL ART MUST BE SET UP AS **VECTORS**
- PLEASE OUTLINE ALL FONTS
- SAVE ART AS PRINT READY PDF

USB - METAL MINI TEMPLATE **BACK**



PRINTABLE AREA
20mm x 10mm

USB DIMENSIONS
L: 39mm x W: 4mm x H: 12mm



THIS TEMPLATE IS 1:1 SCALE

EMAIL: SALES@IUSB.COM.AU
PH: 1300 985 133

IMPORTANT

- FINAL ART MUST BE SET UP AS **VECTORS**
- PLEASE OUTLINE ALL FONTS
- SAVE ART AS PRINT READY PDF